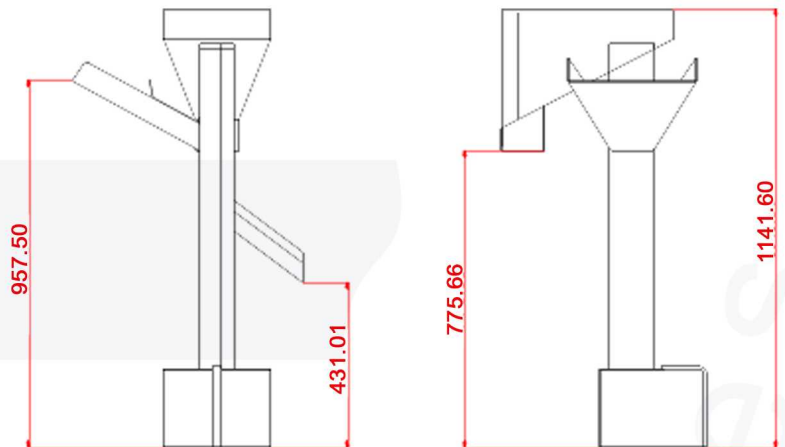


Empty shell removal blower SEJ 400

This device separates the kernels from the shells by ventilation. It is placed after the breaker (MINI or JUNIOR). It removes about 30% of the shells by ventilation, and treats up to 70kg of nuts/hour.

Suitable crops:



TECHNICAL CHARACTERISTICS

Motor	Single-phase electric (220 V) directly connected to the turbine
Frame	Mechanically welded painted
Working	This device separates the broken shells (after breaking) by ventilation Adjustment of the air flow by diaphragm
Advantages	Low noise level (62 db/a)
Length	0,47 m
Width	0,54 m
Height	1,13 m
Weight	23 kg
Flow rate	50 to 70 kg/hour