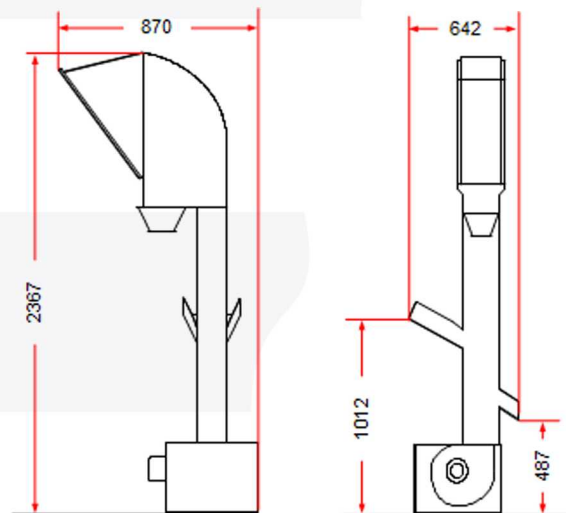
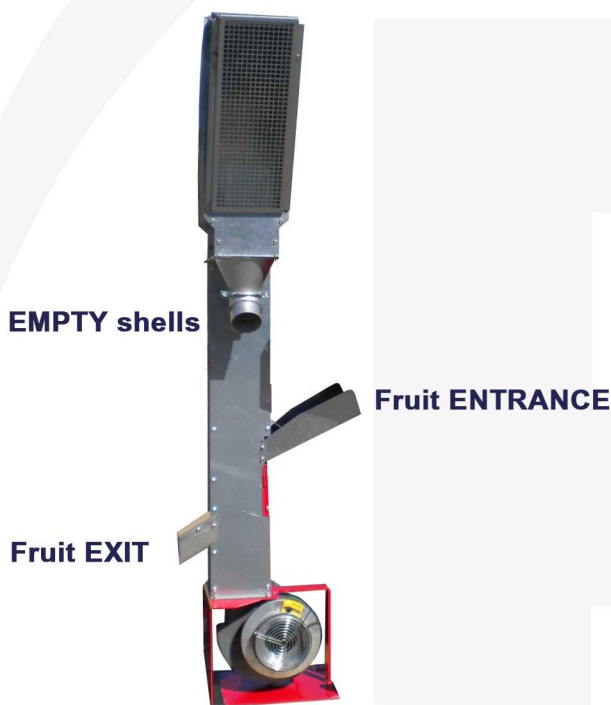


Empty shell removal blower SEP 800

**This machine separates the kernels from the shells by ventilation.
It is placed after the Junior nutcracker.
It removes about 30% of the shells by ventilation and processes up
to 200 kg of nuts/hour.**

Suitable crops:



TECHNICAL CHARACTERISTICS

Motor	Three-phase electric (380 V) directly connected to the turbine
Frame	Galvanized steel in folded sheet
Working	This device separates the broken shells (after breaking) by ventilation Adjustment of the air flow by diaphragm
Advantages	Low noise level (72.1 db/a)
Length	0,87 m
Width	0,64 m
Height	2,36 m
Weight	80 kg
Flow rate	50 to 200 kg/hour

OPTION SEP0027:

GUIDE KIT FOR WASTE DISCHARGE DURING BLOWER OPERATION



Fruits and waste



BEFORE

Fruits



Waste



AFTER